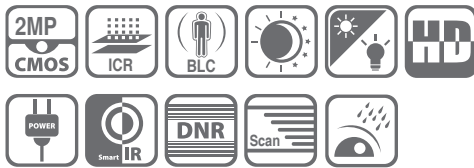


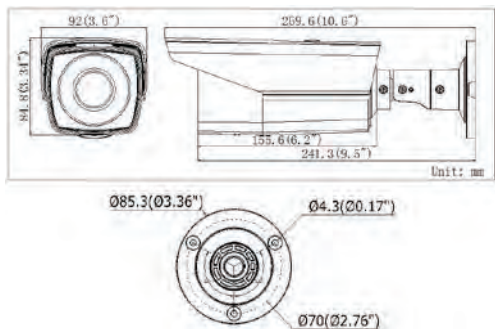
DS-2CE16D5T-AIR3ZH HD1080p Motorized Varifocal IR Bullet Camera



Key Features

- 2 Megapixel High-Performance CMOS
- TurboHD Output, up to 1080p Resolution
- 2.8 mm to 12 mm Motorized Varifocal Lens
- True Day/Night
- OSD Menu, 3D DNR, Smart IR
- True WDR, up to 120 dB
- IR Range 40 Meters (~130 Feet)
- Built-In Heater
- IP66 Weatherproof
- UTC Function

Dimensions



DS-2CE16D5T-AIR3ZH	
Camera	
Image Sensor	2 MP CMOS image sensor
Signal System	NTSC
Effective Pixels	1920 x 1080
Minimum Illumination	0.014 lux @ (f/1.4, AGC on), 0 lux with IR
Shutter Speed	1/30 s to 1/50,000 s
Lens	Motorized VF lens; 2.8 mm to 12 mm @ f/1.4
	Angle of view: 103° to 32.1°
Lens Mount	Φ14
Day/Night	True, IR cut filter
Synchronization	Internal synchronization
WDR	120 dB
Video Frame Rate	1080p @ 30 fps
HD Video Output	1 TurboHD output
CVBS Output	1 Vp-p composite output (75 Ω/BNC)
S/N Ratio	More than 52 dB
Menu	
Scene	Indoor, outdoor, indoor1, LOW-LIGHT
Camera ID	On/off (15 characters, position programmable)
AGC	Yes
D/N Mode	Color/BW/EXT
White Balance	ATW, AWC-SET, indoor, outdoor, manual
Privacy Mask	On/off, maximum 8 zones
Motion Detection	On/off, maximum 4 zones
BLC	Yes
Anti-Flicker	On/off
Functions	HSBLC (Eclipse), digital noise reduction, digital zoom (62x), slow shutter, mirror, defog, defect pixel correction, SMART D-ZOOM
General	
Working Temperature/Humidity	-40° C to 60° C (-40° F to 140° F), humidity 90% or less (non-condensing)
Power Supply	12 VDC, 24 VAC
Power Consumption	Maximum 12 W
Weatherproof Ratings	IP66
IR Range	40 meters (~130 feet)
Communication	Up-the-Coax Protocol: HIKVISION-C
Dimension	92 mm × 84.8 mm × 269.6 mm (3.62" × 3.34" × 10.6")
Weight	690 g (1.52 lbs)

Accessories



Order Models

DS-2CE16D5T-AIR3ZH